



MASTER DRIERS

FIRST IN THE FIELD

Mobile & Static Grain Driers, 10 To 56 Ton



HOME OF THE MASTER DRIER

Over 35 years experience on-farm and in excess of 2,500 driers commissioned and maintained throughout the UK...

Master Driers are **suitable for handling most types of crops and materials** and deal efficiently with different climate conditions and cropping systems worldwide. With capacities from **10-56 ton** with full electric automated alternatives to meet individual requirements, the Master Drier is suitable for most applications and is a real contender for all your on-farm drying requirements.



ALL-INCLUSIVE MASTER CARE PACKAGE

All new machines now come with a 3-year comprehensive factory warranty included in the 'Master Care Package'.

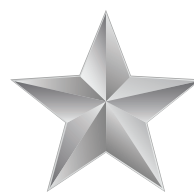
So whether you need a new, refurbished or just a hire drier, the Master range of driers are industrial in design, strength and performance so can be fully relied upon during the busy harvest period.



WHY US? DEDICATED & EXPERIENCED

When you buy a Master Grain Drier, or any piece of grain or groundcare equipment from Master Farm Services, you get, as standard, our unique after-sales service.

This service gives you full piece of mind, knowing that help and guidance is always available when needed.



COMPREHENSIVE PARTS & SERVICE BACK UP

NATIONAL UK SERVICE CENTRE

OUR OWN FULLY TRAINED TECHNICIANS

MASTER RANGE CONTENTS



▶ A LOOK BEHIND THE SCREENS	4
▶ THE MASTER DRIERS RANGE	6
▶ SPECIFICATION ALTERNATIVES	7
▶ THE MASTER DIFFERENCE	8
▶ SPECIAL FEATURES	10
▶ OPTIONAL FEATURES	10
▶ 12-20 TON SUPER RANGE	12
▶ 20-30 TON INTERMEDIATE & LARGE RANGE	15
▶ 35-56 TON XL RANGE	19
▶ SPECIALIST: TWIN SKIN RANGE	24
▶ GETTING THE MOST FROM YOUR MASTER DRIER	25
▶ WET GRAIN BINS	26
▶ PARTS & SUPPORT	27

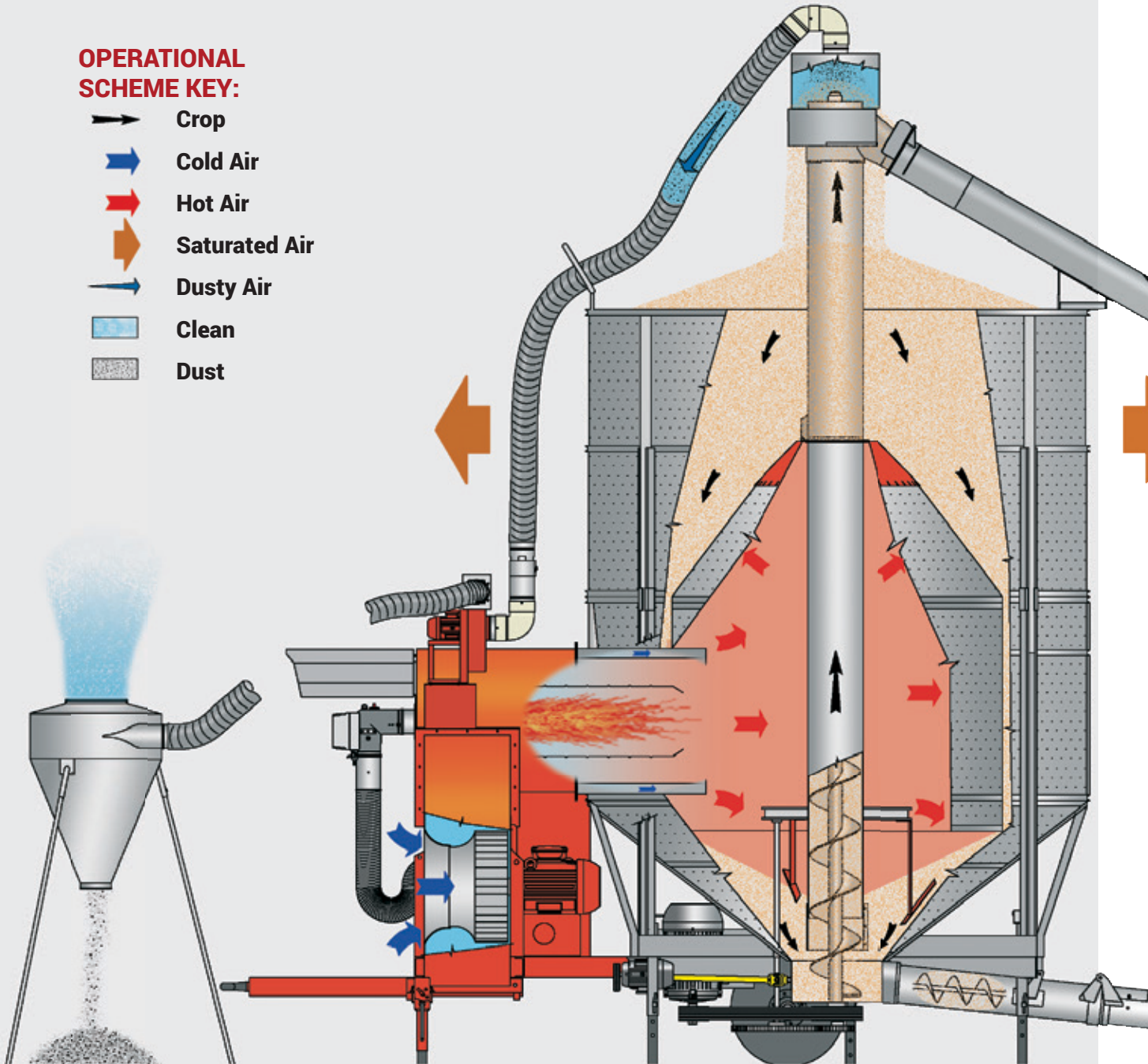
Call us today for more information: **01787 228450**
www.masterfarm.co.uk



A LOOK **BEHIND** THE SCREENS

OPERATIONAL SCHEME KEY:

-  Crop
-  Cold Air
-  Hot Air
-  Saturated Air
-  Dusty Air
-  Clean
-  Dust





AIR CIRCULATION

The centrifugal fan is quiet in operation and gives maximum possible air circulation throughout the drying chamber. The fan disengagement is very simple.

A fan cover is provided on tractor drive models and an on/off switch for electric drive machines. This gives total control of air movement, especially during the loading/unloading process.



HEAT REQUIREMENTS

The burner system incorporates a fail safe control system with photo cell cut-off. Oil fired burners have a twin- or triple-jet oscillating principle controlled by independent solenoids with the possibility to interchange jets to meet any heat requirement.

These dual-fuel burners can be operated with diesel or kerosene and are economical, estimated at 5 litres per ton, giving 5% moisture extraction.



DRIVE ALTERNATIVES

There are a number of drive options available to you when choosing your next mobile drier, with innovative and efficient technology used in the manufacturing and build process. This helps you get the most from your drier throughout your busy drying period.

- Tractor PTO
- Independent engine drive
- Dual-drive (electric drive with inbuilt three-phase generator)
- Electric three-phase (Mastermatic complete automation)
- Generator (Mastermatic complete automation).



TEMPERATURE CONTROL

The automatic temperature system is directly related to moisture and is thermostatically controlled using the latest in digital technology. It incorporates a large number of pre-programmed crop settings, all with auto cut-off facilities for control of heat.

All controls are mounted in weatherproof panels, incorporating operating and safety systems.



Call us today for more information: **01787 228450**
www.masterfarm.co.uk



THE **MASTER** DRIERS RANGE

Master Driers are **suitable for handling all types of materials** and can deal with different climate conditions and cropping systems worldwide. With **15** basic capacities and with specific alternatives to meet individual requirements, the Master Drier is suitable for most applications.

Industrial in design, strength and performance and all delivered with our unrivalled Master Care 3-Year Warranty Package.



CONFIGURE
YOUR OWN GRAIN DRIER

You also have the ability on our website to select the available options and assemble your own customised drier! A tailored quote will then be sent to you for your chosen requirements.



12-20 TON

SUPER RANGE

Batch Capacity (tons wet wheat)	12-20
Unloading Time (minutes)	9-18
Batch Circulation (per hour)	4-5
PTO Drive (Tractor min. size of HP)	65-70

See pages 12 - 14

20-30 TON

INTERMEDIATE & LARGE RANGE

Batch Capacity (tons wet wheat)	20-30
Unloading Time (minutes)	13-18
Batch Circulation (per hour)	3-4
PTO Drive (Tractor min. size of HP)	80-90

See pages 15 - 18

35-56 TON

XL RANGE

Batch Capacity (tons wet wheat)	35-56
Unloading Time (minutes)	21-32
Batch Circulation (per hour)	3
PTO Drive (Tractor min. size of HP)	120-200

See pages 19 - 23

SPECIALIST

RANGE

Batch Capacity (tons wet wheat)	12-45
Unloading Time (minutes)	20-45
Batch Circulation (per hour)	2-4
PTO Drive (Tractor min. size of HP)	70-150

See page 24



SPECIFICATION ALTERNATIVES

RANGE	Capacity	Diameter	Operating Height (m) c/w Dust	Fixed Screen or Retractable	Fixed Screens Only	PTO or Full Electric	Dust Extraction	Auto Lube	Hydraulic Lift	Fast Loading 90tph	Galvanised	Moisture Meter	Hoover Kit	Alternative Discharge Options	PAGE NO.
SUPER	12 Ton	2.5m	7.09	✓		✓	✓	✓	✓		✓	✓	✓	✓	12
	16 Ton	3.0m	7.04	✓		✓	✓	✓	✓		✓	✓	✓	✓	13
	20 Ton	3.0m	7.16	✓		✓	✓	✓	✓		✓	✓	✓	✓	14
INTERMEDIATE & LARGE	20 Ton	3.2m	7.2	✓		✓	✓	✓	✓	✓	✓	✓	✓	✓	15
	27 Ton	3.3m	8.23	✓		✓	✓	✓	✓	✓	✓	✓	✓	✓	16
	30 Ton	3.3m	8.2	✓		✓	✓	✓	✓	✓	✓	✓	✓	✓	17
	30 Ton	3.3m	8.47		✓	✓	✓	✓	✓	✓	✓	✓	✓	✓	18
XL	35 Ton	4.0m	7.94		✓	✓	✓	✓	✓	✓	✓	✓	✓	✓	19
	38 Ton	4.0m	8.7	✓		✓	✓	✓	✓	✓	✓	✓	✓	✓	20
	42 Ton	4.0m	8.9		✓	✓	✓	✓	✓	✓	✓	✓	✓	✓	21
	45 Ton	4.0m	9.32		✓	✓	✓	✓	✓	✓	✓	✓	✓	✓	22
	56 Ton	4.56m	9.78		✓	✓	✓	✓	✓	✓	✓	✓	✓	✓	23

Call us today for more information: **01787 228450**

www.masterfarm.co.uk



THE MASTER DIFFERENCE

Model Shown:
20 Ton R/S-MRM



1 FULL HOT-DIP GALVANIZATION

Unique to Master Driers, the fully galvanized rear chassis incorporating the entire frame, front triangular section and plenum chamber (standard on Super 120 R/S).

The complete galvanization process is done with a full immersion of the frame in a bath of molten zinc at a temperature of around 840°F (449°C). The galvanizing protects the steel by acting as a barrier between the steel and the atmosphere, keeping your machine protected even in the most extreme conditions.

2 MASTER DUST EXTRACTION

Being the first mobile drier manufacturer to bring dust extraction to the UK market in the mid nineties we have led the way from the start and still feel we are leading the way in terms of efficiency and quality of sample achieved. Don't take our word for it, speak to one of the 1,500 farmers operating a Master Drier with dust extraction in the UK.

It works by removing add mixture, and other impurities from the crop, pushing bushel weights higher, adding financial value. Along with the financial benefits, the system also provides a cleaner and safer environment around the drier, as well as keeping your farmyard a tidier and more pleasant place to work during a busy harvest period.

3 AUGER AND TUBE MATERIALS

Built around the most experience of mobile driers operating in the UK market, the augers and tubes we use today are the best yet. Using the latest in-flight design and steel technology all our latest driers come with Hardox Steel wear zones as well as the highest quality hard steels for the rest of the auger. The auger tubes are 5mm overall thickness made up of 4mm C430 carbon steel and 1mm of zinc galvanizing, giving a long working life.

4 MODULATING DIESEL-FIRED BURNERS

The 'modulating' operation under the control of a PLC unit enables the burner to work from minimum to maximum delivery, fully automatically, until the set temperature is reached. This function also allows the burner to reach and maintain its



All inclusive **Master Care Package** with all new Master Driers
(Full and comprehensive manufacturers warranty for **3 YEARS** after purchase)

set point more efficiently saving fuel, time and money, giving our system some great advantages over traditional, cheaper modular burners.

Another great advantage of this new system is that it makes it possible for the operator to use the drier with a variety of different products requiring different drying temperatures, without needing to replace the burner nozzles.

When burners have a 'modulating function', the operator has only to set the drying air temperature on the control panel for the cereal currently being dried.

5 MASTERMATIC AUTOMATION

Featuring touch screen control as standard gets rid of most of the old fashioned mechanical push buttons and timers which generally give problems as the cumulative effects of dust, damp and time take their effects.

This easy-to-use system comes as standard with the following features:

- Pre-programmed individual crop settings with last setting memory
- Early start-up of fan and burner when filling
- Auto top-up facility
- Cooling by time or temperature
- Batch selection control
- Options for the control of filling and emptying conveyor.

6 AUTOMATIC LUBRICATION

The Automatic Lubrication System is controlled through the driers' PLC system and individual dosing units, so every bearing on the machine gets the correct amount of grease at the correct intervals. The system also comes with the added protection of a fail-safe alarm sensor, so if you've forgotten to fill the greaser you'll know about it. Filled though a normal grease nipple, or with an optional quick-fill grease gun available to purchase from Master Farm Services.

7 GRAVITY CLEANER FAN

An increasingly popular option on our Mastermatic machines alongside the dust extraction system, so that all the cleaning and waste materials end up in one place. The fan is mounted directly to the gravity cleaner pipe, blowing the material from the gravity cleaner to the same waste collection area as the dust extraction fan. This keeps the area around the drier much cleaner and tidier.

8 HEAT-SAVING COMBUSTION CHAMBER FUNNELS

Master Driers use specially designed stainless steel combustion chamber funnels to ensure that each calorie produced by the burners goes directly inside the crop, without any heat waste. Using triple-layer cool-wall technology, the air coming from the fan divides into three different flow lines, producing a natural isolation of each internal chamber funnel.

Unique to our driers, the outside of the funnel always remains cold, and the user can touch it with bare hands without any burns. No heat dispersion means fuel and cost saving.

9 MASTER HOOVER KIT

Another Master Drier 'First in the Field' technology. We all know operating a drier can be dusty and dangerous work especially when it collects on the floor area around the drier. The Master Hoover Kit will collect all dry dust and debris from around the drier, operating in conjunction with the dust extraction, will direct to a collection point away from the drier.

10 ULTRA-STRONG TOOTHED GEARS AND AGITATORS WITH DLC SAFETY SYSTEM

Master Driers utilise ultra strong internal gears and agitators to resist the extreme strain produced by high levels of moisture within the crop.

As an additional safety feature, all our driers are equipped with a Drive Line Control safety system (DLC for short). This system is there so if the worst does happen, and the agitators or the centre auger have a problem, the burner will turn off preventing overheating.

11 ICORENE® FUEL TANKS

Master Driers use special 100% ICORENE® 1613 BK85 tanks. This premium quality black powder is used in the production of diesel fuel tanks on tractors, harvesters, trucks, buses and many more vehicle types.

This material reduces the risks of fuel explosion in accordance with CE legislation. Furthermore, ICORENE® grants the absence of condensation in the tanks during the colder months and therefore protects the pureness and cleanliness of your fuel.

12 MASTER CARE PACKAGE

All new Master Driers now come with a 3-Year Fully Comprehensive Warranty as standard. We want to share with you, our confidence both in the services we provide and the products we sell, something no other drier manufacturer offers.

Call us today for more information: 01787 228450
www.masterfarm.co.uk



SPECIAL FEATURES

Included as standard
on ALL models



UNIQUE BURNER SYSTEM

All Master Driers are now fitted with dual- or triple-stage fuel burners, manufactured in-house, with no third party involvement. This ensures that the parts are always readily available.

Both twin- and triple-jet oscillating flame systems are suitable for operation with dual-fuels (diesel/ kerosene) and incorporate burner 'fail-safe' technology.



SAFETY FIRST

Master Farm Services take the safety of our customers and products very seriously. To this end we work very closely with the manufacturers to ensure that every product imported and sold complies to the latest CE regulations, including all health and environmental requirements.



DRIVE LINE CONTROL (DLC)

The DLC system is a simple way to ensure continuous monitoring of all mechanical components driving the centre auger and the inside agitator arms. In case of failure, the system ensures the automatic and quick shutdown of the burner.

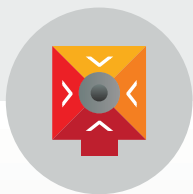


HIGH QUALITY MANUFACTURING

Master Driers manufacturing process is of the highest order, using only brand names for all components.

- Perforated screen in stainless steel grade AISI 430
- Heavy duty chassis
- SKF bearings
- Reverse bladed design for fans ensuring low noise level
- Reinforced central auger
- IP65 insulation and protection grade on all electric boxes and control devices.

OPTIONAL FEATURES



REMOTE UNLOAD CHUTE

Allows you to operate the unload chute from the comfort of your tractor cab. Especially useful on larger capacity driers when emptying into trailers.



MASTERVAC HOOVER KIT

Works in conjunction with the dust extraction fan for cleaning in, and around, the drier. Includes 8m of hose and suction end.



MASTER MOISTURE METER

'In-drier' Master Moisture Meters give a continuous reading of crop moisture and temperature throughout the batch. Includes temperature compensation curve (factory fitted).



GRAVITY FAN CLEANER

Additional fan for gravity cleaner to blow debris to the same place as dust extraction.





DUST

EXTRACTION SYSTEM

The Dust Extraction System, working along side the standard gravity cleaner, serves a number of purposes. Removing add mixture and other impurities from the crop, pushes bushel weights higher, adding financial value. Along with the financial benefits the system also provides a cleaner and safer environment around the drier, as well as keeping your farmyard a tidier and more pleasant place to work during a busy harvest period.

Factory-fitted, incorporating a large capacity fan, suction hose, suction control valve, small gravity cleaner cyclone and 10m of discharge hose.



AUTOMATIC

LUBRICATION SYSTEM

The Automatic Lubrication System is controlled through the driers' PLC system and individual dosing units, so every bearing on the machine gets the correct amount of grease at the correct intervals.

The system also comes with the added protection of a fail-safe alarm sensor so if you've forgotten to fill the greaser, you'll know about it. Filled though a normal grease nipple or with an optional quick-fill grease gun.



HYDRAULIC

OPERATION SYSTEMS

Option 1: Perfect for contractors or individuals operating at multiple sites. Hydraulically operated screens and top auger, via wireless remote.

At the touch of a button you can raise/lower your top auger as well as your screens, vastly reducing the amount of time and effort required to get your machine up and running or moving on to its next job. (The system requires one tractor spool as well as a 7-pin trailer socket).

Option 2: Hydraulic operation of the top auger only, via tractor spool valve. This option is standard on some models due to size/weight of the top auger.



DISCHARGE

ALTERNATIVES

There are a number of other discharge options available to meet with existing height and/or farm building restrictions.

Single- or twin-fixed discharge chutes through screens with motorised flaps available where height may be an issue, or horizontal motor-driven cross auger discharge. Length and height can be tailored to suit individual requirements.



TELEPHONE

SMS SYSTEM

The drier will automatically send you text messages, such as 'cycle complete' or if there is a problem with drying.



LARGE END OF LINE

CYCLONE

Works in conjunction with the dust extraction system to manage the dust flow from the drier through an end of line cyclone. This makes it easy to collect the dust and ensures a cleaner working environment.

Call us today for more information: **01787 228450**

www.masterfarm.co.uk



12-20 TON SUPER RANGE

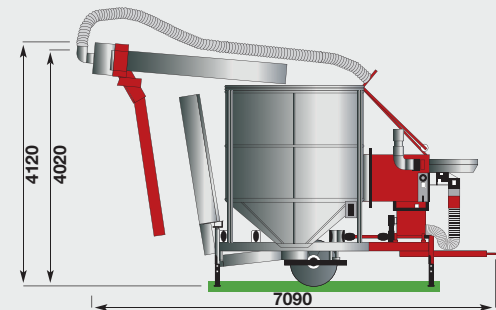
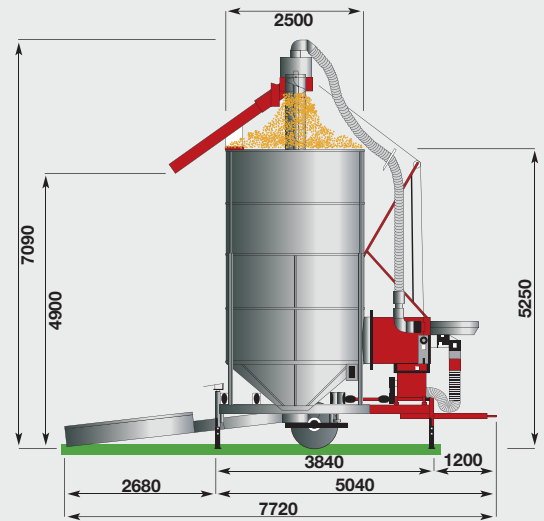
Super 120 Type R/S

TECHNICAL DATA

Batch Capacity (tons wet wheat)	12.75 (17m ³)
Loading Time (minutes)	12
Unloading Time (minutes)	9
Power Required:	
Model PTO Drive - Tractor min. size of HP	65
Model Electric Drive - Mains supply line of AMPS	63
Available as PTO or full Electric Drive	Yes
Size Main Electric Motors	Kw (HP)
Fan	11.5 (15)
Central Auger	15 (20)
Filling Auger	7.5 (10)
Dust Extractor	2.2 (3)
Burner	0.75 (1)
Centre Auger Drive	Belts/Gearbox
Centre Auger Speed (r.p.m.)	250
Centre Auger Diameter (mm)	350
Filling Auger Diameter (mm)	200
Centre Auger Ø 350mm (capacity tons/h)	75
Filling Auger Ø 200mm (capacity tons/h)	55
Batch Circulation (per hour)	5
Fuel Consumption (litres per hour)	35
5 litres per ton extracting 5% approx.	
Grain Wall Thickness (mm)	480
Burner Type (gas as option)	Diesel, Automatic Twin Stage
Fuel Tank Capacity (litres)	700
Burner Capacity (caloric power Kcal/h max)	700,000
Fan Design	Centrifugal
Fan Capacity (air flow m ³ /h max)	35,000
Fan Diameter (mm)	720
Fan Speed (r.p.m.)	1,450
Screen Perforation	1.5mm Inox Stainless Steel
Maximum Towing Speed	25Kmph Max Unbraked
Adjustable Support Legs	6
Weight (Kgs)	3,700
PTO Speed (r.p.m)	540

All performance figures are largely dependent on the ambient temperature, relative air humidity, maturity and cleanliness of crops to be dried. All models incorporate safety devices for auto cut-off of burner system due to overheating or mechanical failure.

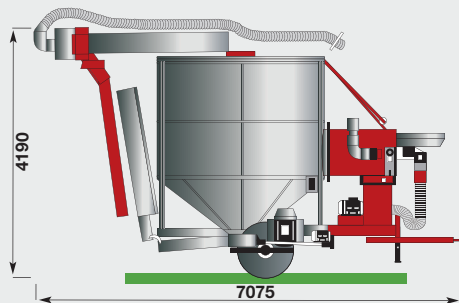
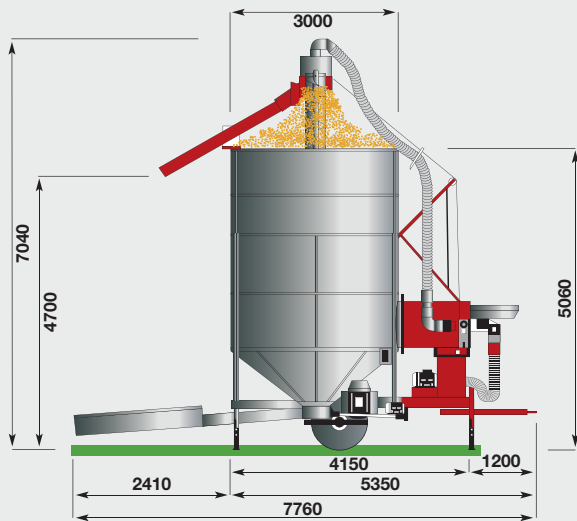
APPROX.
SIZES MM



OPTIONAL
FEATURES



APPROX.
SIZES MM



12-20 TON SUPER RANGE

Super 160 Type R/S

TECHNICAL DATA

Batch Capacity (tons wet wheat)	16 (22m ³)
Loading Time (minutes)	15
Unloading Time (minutes)	12
Power Required:	
Model PTO Drive - Tractor min. size of HP	70
Model Electric Drive - Mains supply line of AMPS	70
Available as PTO or full Electric Drive	Yes

Size Main Electric Motors	Kw	(HP)
Fan	15	(20)
Central Auger	15	(20)
Filling Auger	7.5	(10)
Dust Extractor	2.2	(3)
Burner	0.75	(1)

Centre Auger Drive	Belts/Gearbox
Centre Auger Speed (r.p.m.)	250
Centre Auger Diameter (mm)	350
Filling Auger Diameter (mm)	200
Centre Auger Ø 350mm (capacity tons/h)	75
Filling Auger Ø 200mm (capacity tons/h)	55

Batch Circulation (per hour)	4
Fuel Consumption (litres per hour)	35
5 litres per ton extracting 5% approx.	
Grain Wall Thickness (mm)	550

Burner Type (gas as option)	Diesel, Automatic Twin Stage
Fuel Tank Capacity (litres)	700
Burner Capacity (caloric power Kcal/h max)	700,000

Fan Design	Centrifugal
Fan Capacity (air flow m ³ /h max)	40,000
Fan Diameter (mm)	720
Fan Speed (r.p.m.)	1,450
Screen Perforation	1.5mm Inox Stainless Steel
Maximum Towing Speed	25Kmph Max Unbraked
Adjustable Support Legs	8
Weight (Kgs)	3,900
PTO Speed (r.p.m.)	540

All performance figures are largely dependent on the ambient temperature, relative air humidity, maturity and cleanliness of crops to be dried. All models incorporate safety devices for auto cut-off of burner system due to overheating or mechanical failure.

OPTIONAL FEATURES



REMOTE
UNLOAD CHUTE



MASTERVAC
HOOVER KIT



MASTER
MOISTURE METER



GRAVITY
FAN CLEANER



DUST
EXTRACTION SYSTEM



AUTOMATIC
LUBRICATION SYSTEM



LARGE END OF LINE
CYCLONE



HYDRAULIC
OPERATION SYSTEMS



DISCHARGE
ALTERNATIVES



TELEPHONE
SMS SYSTEM

Call us today for more information: **01787 228450**
www.masterfarm.co.uk



12-20 TON SUPER RANGE

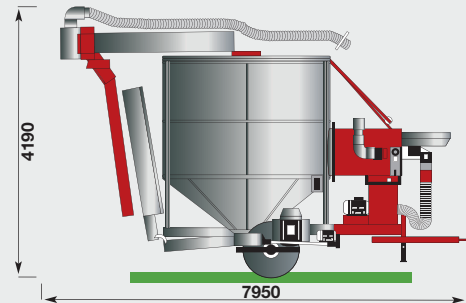
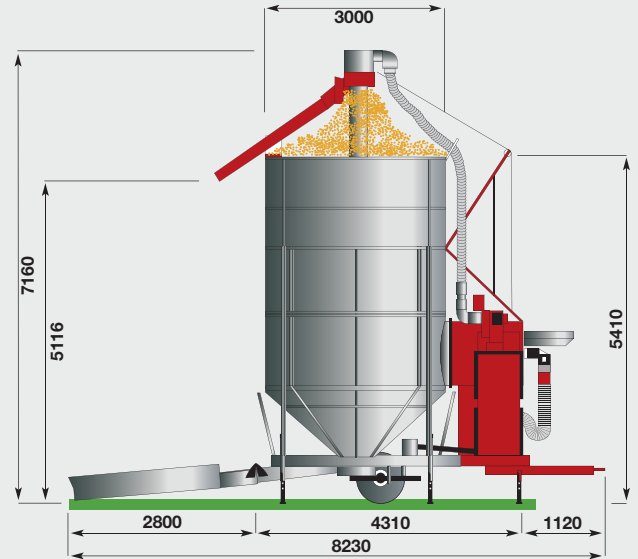
Super 200 Type R/S-SMS

TECHNICAL DATA

Batch Capacity (tons wet wheat)	20 (27m ³)
Loading Time (minutes)	20
Unloading Time (minutes)	18
Power Required:	
Model PTO Drive - Tractor min. size of HP	70
Model Electric Drive - Mains supply line of AMPS	70
Available as PTO or full Electric Drive	Yes
Size Main Electric Motors	Kw (HP)
Fan	15 (20)
Central Auger	15 (20)
Filling Auger	7.5 (10)
Dust Extractor	2.2 (3)
Burner	0.75 (1)
Centre Auger Drive	Belts/Gearbox
Centre Auger Speed (r.p.m.)	250
Centre Auger Diameter (mm)	350
Filling Auger Diameter (mm)	200
Centre Auger Ø 350mm (capacity tons/h)	75
Filling Auger Ø 200mm (capacity tons/h)	55
Batch Circulation (per hour)	4
Fuel Consumption (litres per hour)	35
5 litres per ton extracting 5% approx.	
Grain Wall Thickness (mm)	550
Burner Type (gas as option)	Diesel, Automatic Twin Stage
Fuel Tank Capacity (litres)	700
Burner Capacity (caloric power Kcal/h max)	700,000
Fan Design	Centrifugal
Fan Capacity (air flow m ³ /h max)	40,000
Fan Diameter (mm)	720
Fan Speed (r.p.m.)	1,450
Screen Perforation	1.5mm Inox Stainless Steel
Maximum Towing Speed	25Kmph Max Unbraked
Adjustable Support Legs	8
Weight (Kgs)	4,100
PTO Speed (r.p.m)	540

All performance figures are largely dependent on the ambient temperature, relative air humidity, maturity and cleanliness of crops to be dried. All models incorporate safety devices for auto cut-off of burner system due to overheating or mechanical failure.

APPROX.
SIZES MM



REMOTE
UNLOAD CHUTE



MASTERVAC
HOOVER KIT



MASTER
MOISTURE METER



GRAVITY
FAN CLEANER



DUST
EXTRACTION SYSTEM



AUTOMATIC
LUBRICATION SYSTEM



HYDRAULIC
OPERATION SYSTEMS



DISCHARGE
ALTERNATIVES



TELEPHONE
SMS SYSTEM

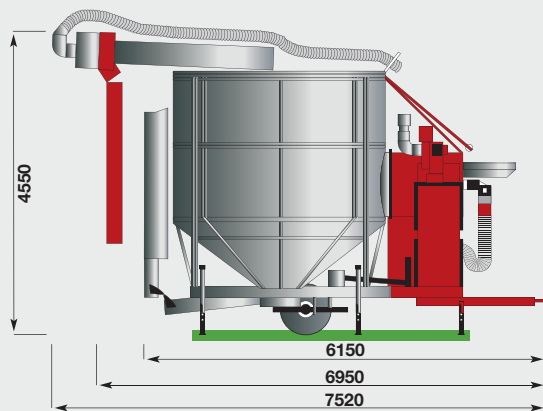
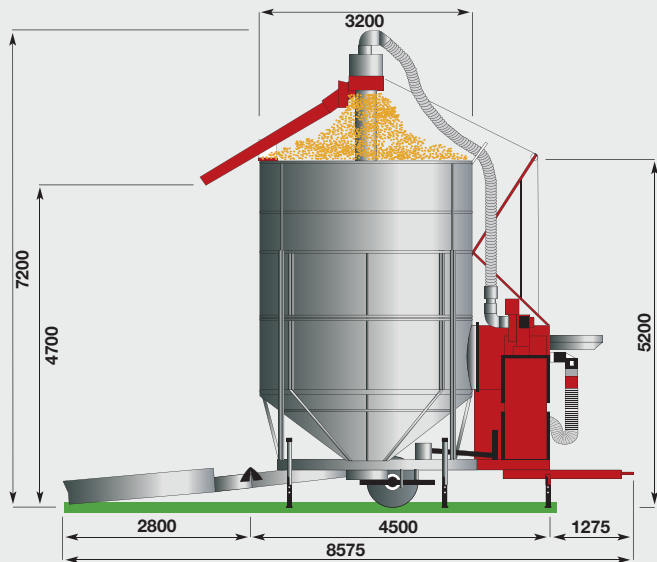


LARGE END OF LINE
CYCLONE

OPTIONAL
FEATURES



APPROX.
SIZES MM



OPTIONAL
FEATURES



REMOTE
UNLOAD CHUTE



MASTERVAC
HOOVER KIT



MASTER
MOISTURE METER



GRAVITY
FAN CLEANER



DUST
EXTRACTION SYSTEM



AUTOMATIC
LUBRICATION SYSTEM



LARGE END OF LINE
CYCLONE



HYDRAULIC
OPERATION SYSTEMS



DISCHARGE
ALTERNATIVES



TELEPHONE
SMS SYSTEM

20-30 TON INTERMEDIATE & LARGE RANGE

Intermediate 200 Type R/S-MRM

TECHNICAL DATA

Batch Capacity (tons wet wheat)	20 (27m ³)
Loading Time (minutes)	15
Unloading Time (minutes)	13
Power Required:	
Model PTO Drive - Tractor min. size of HP	80
Model Electric Drive - Mains supply line of AMPS	100
Available as PTO or full Electric Drive	Yes

Size Main Electric Motors	Kw	(HP)
Fan	18.5	(25)
Central Auger	18.5	(25)
Filling Auger	11.5	(15)
Dust Extractor	2.2	(3)
Burner	1.5	(2)

Centre Auger Drive	Belts/Gearbox
Centre Auger Speed (r.p.m.)	250
Centre Auger Diameter (mm)	350
Filling Auger Diameter (mm)	250
Centre Auger Ø 350mm (capacity tons/h)	75
Filling Auger Ø 250mm (capacity tons/h)	90

Batch Circulation (per hour)	4
Fuel Consumption (litres per hour)	55
5 litres per ton extracting 5% approx.	
Grain Wall Thickness (mm)	550

Burner Type (gas as option)	Diesel, Automatic Triple Stage
Fuel Tank Capacity (litres)	700
Burner Capacity (caloric power Kcal/h max)	950,000

Fan Design	Centrifugal
Fan Capacity (air flow m ³ /h max)	50,000
Fan Diameter (mm)	810
Fan Speed (r.p.m.)	1,450
Screen Perforation	1.5mm Inox Stainless Steel
Maximum Towing Speed	25Kmph Max Unbraked
Adjustable Support Legs	6
Weight (Kgs)	4,400
PTO Speed (r.p.m.)	540

All performance figures are largely dependent on the ambient temperature, relative air humidity, maturity and cleanliness of crops to be dried. All models incorporate safety devices for auto cut-off of burner system due to overheating or mechanical failure.

Call us today for more information: **01787 228450**

www.masterfarm.co.uk



20-30 TON INTERMEDIATE & LARGE RANGE

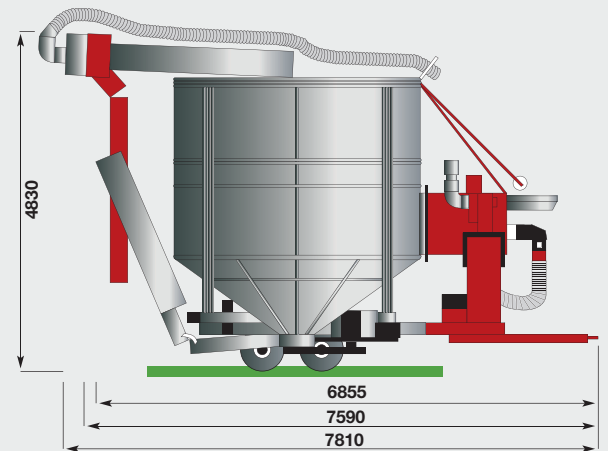
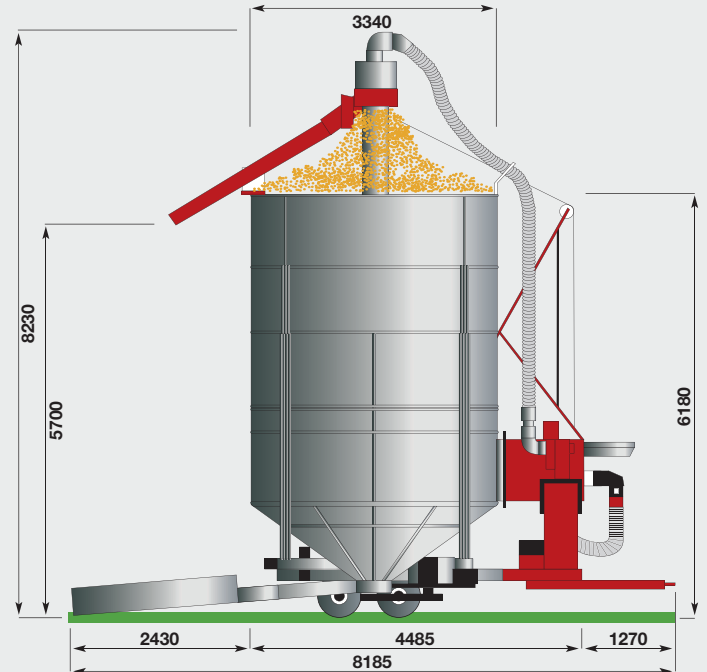
Large Capacity 270 Type R/S

TECHNICAL DATA

Batch Capacity (tons wet wheat)	27 (38.5m ³)
Loading Time (minutes)	18
Unloading Time (minutes)	16
Power Required:	
Model PTO Drive - Tractor min. size of HP	80
Model Electric Drive - Mains supply line of AMPS	100
Available as PTO or full Electric Drive	Yes
Size Main Electric Motors	Kw (HP)
Fan	22.5 (25)
Central Auger	22.5 (25)
Filling Auger	11.5 (15)
Dust Extractor	2.2 (3)
Burner	1.5 (2)
Centre Auger Drive	Belts/Gearbox
Centre Auger Speed (r.p.m.)	250
Centre Auger Diameter (mm)	350
Filling Auger Diameter (mm)	250
Centre Auger Ø 350mm (capacity tons/h)	75
Filling Auger Ø 250mm (capacity tons/h)	90
Batch Circulation (per hour)	3
Fuel Consumption (litres per hour)	55
5 litres per ton extracting 5% approx.	
Grain Wall Thickness (mm)	550
Burner Type (gas as option)	Diesel, Automatic Triple Stage
Fuel Tank Capacity (litres)	700
Burner Capacity (caloric power Kcal/h max)	950,000
Fan Design	Centrifugal
Fan Capacity (air flow m ³ /h max)	50,000
Fan Diameter (mm)	810
Fan Speed (r.p.m.)	1,450
Screen Perforation	1.5mm Inox Stainless Steel
Maximum Towing Speed	25Kmph Max Unbraked
Adjustable Support Legs	8
Weight (Kgs)	4,800
PTO Speed (r.p.m.)	540

All performance figures are largely dependent on the ambient temperature, relative air humidity, maturity and cleanliness of crops to be dried. All models incorporate safety devices for auto cut-off of burner system due to overheating or mechanical failure.

APPROX.
SIZES MM



REMOTE
UNLOAD CHUTE



MASTERVAC
HOOVER KIT



MASTER
MOISTURE METER



GRAVITY
FAN CLEANER



DUST
EXTRACTION SYSTEM



AUTOMATIC
LUBRICATION SYSTEM



HYDRAULIC
OPERATION SYSTEMS



DISCHARGE
ALTERNATIVES



TELEPHONE
SMS SYSTEM

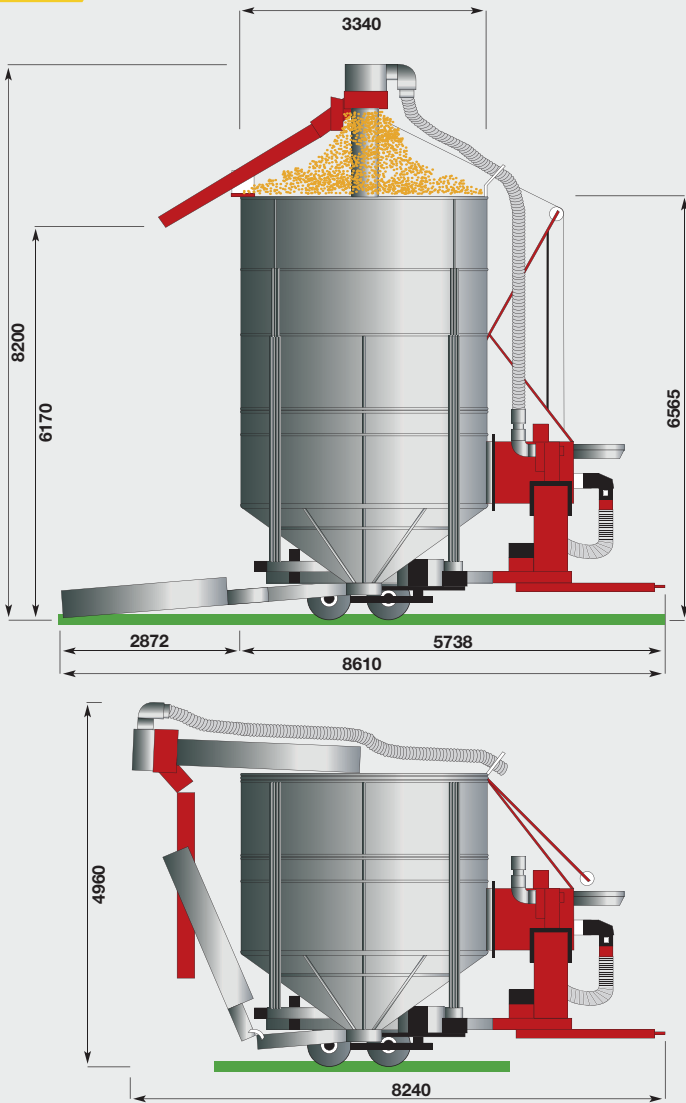


LARGE END OF LINE
CYCLONE

OPTIONAL
FEATURES



APPROX.
SIZES MM



OPTIONAL
FEATURES



REMOTE
UNLOAD CHUTE



MASTERVAC
HOOVER KIT



MASTER
MOISTURE METER



GRAVITY
FAN CLEANER



DUST
EXTRACTION SYSTEM



AUTOMATIC
LUBRICATION SYSTEM



LARGE END OF LINE
CYCLONE



HYDRAULIC
OPERATION SYSTEMS



DISCHARGE
ALTERNATIVES



TELEPHONE
SMS SYSTEM

20-30 TON INTERMEDIATE & LARGE RANGE

Large Capacity 300 Type R/S

TECHNICAL DATA

Batch Capacity (tons wet wheat)	30 (40m ³)
Loading Time (minutes)	20
Unloading Time (minutes)	18
Power Required:	
Model PTO Drive - Tractor min. size of HP	90
Model Electric Drive - Mains supply line of AMPS	100
Available as PTO or full Electric Drive	Yes

Size Main Electric Motors	Kw	(HP)
Fan	22.5	(30)
Central Auger	22.5	(30)
Filling Auger	11.5	(15)
Dust Extractor	2.2	(3)
Burner	1.5	(2)

Centre Auger Drive	Belts/Gearbox
Centre Auger Speed (r.p.m.)	250
Centre Auger Diameter (mm)	350
Filling Auger Diameter (mm)	250
Centre Auger Ø 350mm (capacity tons/h)	75
Filling Auger Ø 250mm (capacity tons/h)	90

Batch Circulation (per hour)	3
Fuel Consumption (litres per hour)	60
5 litres per ton extracting 5% approx.	
Grain Wall Thickness (mm)	550

Burner Type (gas as option)	Diesel, Automatic Triple Stage
Fuel Tank Capacity (litres)	700
Burner Capacity (caloric power Kcal/h max)	950,000

Fan Design	Centrifugal
Fan Capacity (air flow m ³ /h max)	50,000
Fan Diameter (mm)	810
Fan Speed (r.p.m.)	1,450
Screen Perforation	1.5mm Inox Stainless Steel
Maximum Towing Speed	25Kmph Max Unbraked
Adjustable Support Legs	8
Weight (Kgs)	5,000
PTO Speed (r.p.m.)	540

All performance figures are largely dependent on the ambient temperature, relative air humidity, maturity and cleanliness of crops to be dried. All models incorporate safety devices for auto cut-off of burner system due to overheating or mechanical failure.

Call us today for more information: **01787 228450**

www.masterfarm.co.uk



20-30 TON INTERMEDIATE & LARGE RANGE

Large Capacity 300 Type F/S

TECHNICAL DATA

Batch Capacity (tons wet wheat)	30 (40m ³)
Loading Time (minutes)	20
Unloading Time (minutes)	18
Power Required:	
Model PTO Drive - Tractor min. size of HP	90
Model Electric Drive - Mains supply line of AMPS	100
Available as PTO or full Electric Drive	Yes

Size Main Electric Motors	Kw	(HP)
Fan	22.5	(30)
Central Auger	22.5	(30)
Filling Auger	11.5	(15)
Dust Extractor	2.2	(3)
Burner	1.5	(2)

Centre Auger Drive	Belts/Gearbox
Centre Auger Speed (r.p.m.)	250
Centre Auger Diameter (mm)	350
Filling Auger Diameter (mm)	250
Centre Auger Ø 350mm (capacity tons/h)	75
Filling Auger Ø 250mm (capacity tons/h)	90

Batch Circulation (per hour)	3
Fuel Consumption (litres per hour)	60
5 litres per ton extracting 5% approx.	
Grain Wall Thickness (mm)	550

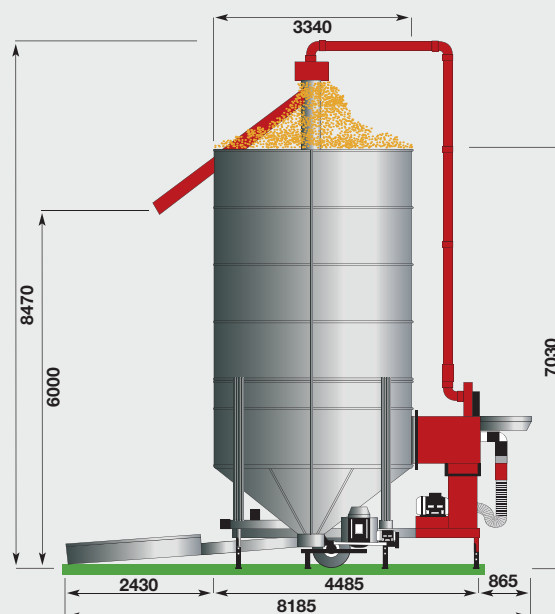
Burner Type (gas as option)	Diesel, Automatic Triple Stage
Fuel Tank Capacity (litres)	700
Burner Capacity (caloric power Kcal/h max)	950,000

Fan Design	Centrifugal
Fan Capacity (air flow m ³ /h max)	55,000
Fan Diameter (mm)	810
Fan Speed (r.p.m.)	1,450
Screen Perforation	1.5mm Inox Stainless Steel

Adjustable Support Legs	8
Weight (Kgs)	5,200
PTO Speed (r.p.m.)	540

All performance figures are largely dependent on the ambient temperature, relative air humidity, maturity and cleanliness of crops to be dried. All models incorporate safety devices for auto cut-off of burner system due to overheating or mechanical failure.

APPROX.
SIZES MM



REMOTE
UNLOAD CHUTE



MASTERVAC
HOOVER KIT



MASTER
MOISTURE METER



GRAVITY
FAN CLEANER



DUST
EXTRACTION SYSTEM



AUTOMATIC
LUBRICATION SYSTEM



HYDRAULIC
OPERATION SYSTEMS



DISCHARGE
ALTERNATIVES



TELEPHONE
SMS SYSTEM

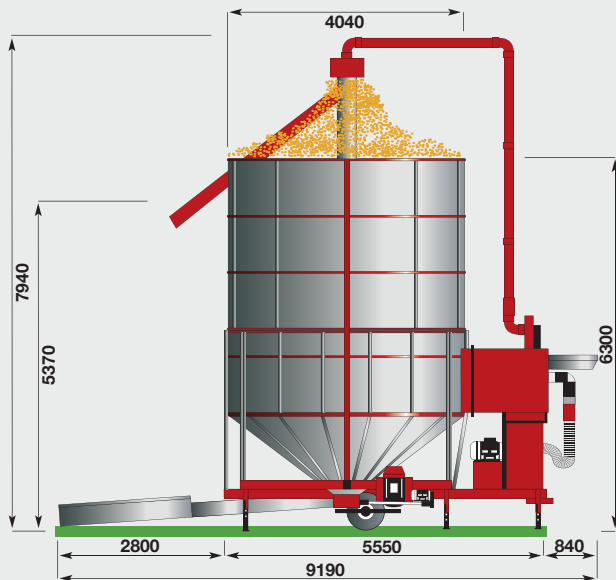


LARGE END OF LINE
CYCLONE

OPTIONAL
FEATURES

All inclusive **Master Care Package** with all new Master Driers
(Full and comprehensive manufacturers warranty for 3 YEARS after purchase)

APPROX.
SIZES MM



35-56 TON XL RANGE

XL 350 Type F/S

TECHNICAL DATA

Batch Capacity (tons wet wheat)	35 (47m ³)
Loading Time (minutes)	23
Unloading Time (minutes)	21
Power Required:	
Model PTO Drive - Tractor min. size of HP	120
Model Electric Drive - Mains supply line of AMPS	150
Available as PTO or full Electric Drive	Yes

Size Main Electric Motors	Kw	(HP)
Fan (option 'low power': fan Kw 22.5, 30HP)	37.5	(50)
Central Auger	30	(40)
Filling Auger	11	(15)
Dust Extractor	2.2	(3)
Burner	2.2	(3)

Centre Auger Drive	Belts/Gearbox
Centre Auger Speed (r.p.m.)	250
Centre Auger Diameter (mm)	450
Filling Auger Diameter (mm)	250
Centre Auger Ø 450mm (capacity tons/h)	120
Filling Auger Ø 250mm (capacity tons/h)	90

Batch Circulation (per hour)	3
Fuel Consumption (litres per hour)	75
5 litres per ton extracting 5% approx.	
Grain Wall Thickness (mm)	510

Burner Type (gas as option)	Diesel, Automatic Triple Stage
Fuel Tank Capacity (litres)	700
Burner Capacity (caloric power Kcal/h max)	1,300,000

Fan Design	Centrifugal
Fan Capacity (air flow m ³ /h max)	75,000
Fan Diameter (mm)	900
Fan Speed (r.p.m.)	1,450
Screen Perforation	1.5mm Inox Stainless Steel

Adjustable Support Legs	6
Weight (Kgs)	5,800
PTO Speed (r.p.m.)	540

All performance figures are largely dependent on the ambient temperature, relative air humidity, maturity and cleanliness of crops to be dried. All models incorporate safety devices for auto cut-off of burner system due to overheating or mechanical failure.

OPTIONAL
FEATURES



REMOTE
UNLOAD CHUTE



MASTERVAC
HOOVER KIT



MASTER
MOISTURE METER



GRAVITY
FAN CLEANER



DUST
EXTRACTION SYSTEM



AUTOMATIC
LUBRICATION SYSTEM



LARGE END OF LINE
CYCLONE



HYDRAULIC
OPERATION SYSTEMS



DISCHARGE
ALTERNATIVES



TELEPHONE
SMS SYSTEM

Call us today for more information: **01787 228450**
www.masterfarm.co.uk



35-56 TON XL RANGE

XL 380 Type R/S

TECHNICAL DATA

Batch Capacity (tons wet wheat)	38 (51m ³)
Loading Time (minutes)	25
Unloading Time (minutes)	21
Power Required:	
Model PTO Drive - Tractor min. size of HP	120
Model Electric Drive - Mains supply line of AMPS	150
Available as PTO or full Electric Drive	Yes

Size Main Electric Motors	Kw	(HP)
Fan	37.5	(50)
Central Auger	30	(40)
Filling Auger	11	(15)
Dust Extractor	2.2	(3)
Burner	2.2	(3)

Centre Auger Drive	Belts/Gearbox
Centre Auger Speed (r.p.m.)	250
Centre Auger Diameter (mm)	450
Filling Auger Diameter (mm)	250
Centre Auger Ø 450mm (capacity tons/h)	120
Filling Auger Ø 250mm (capacity tons/h)	90

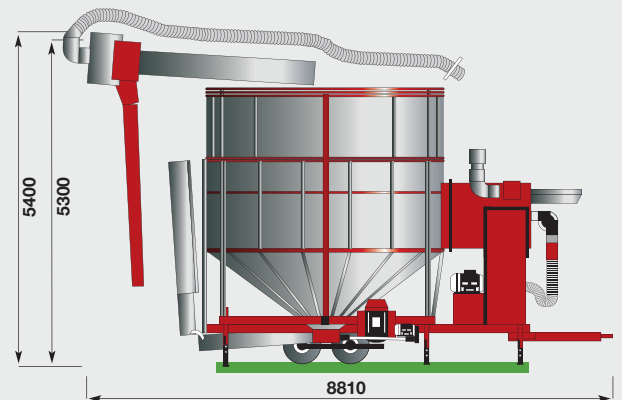
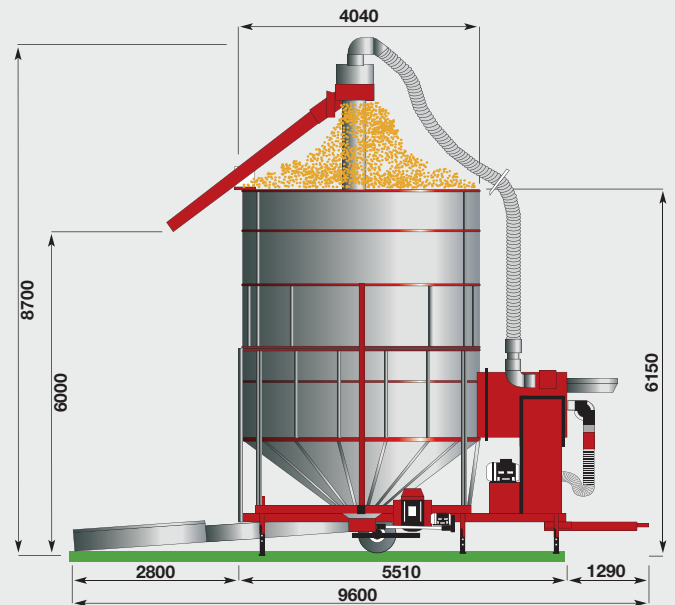
Batch Circulation (per hour)	3
Fuel Consumption (litres per hour)	75
5 litres per ton extracting 5% approx.	
Grain Wall Thickness (mm)	510

Burner Type (gas as option)	Diesel, Automatic Triple Stage
Fuel Tank Capacity (litres)	700
Burner Capacity (caloric power Kcal/h max)	1.300,000

Fan Design	Centrifugal
Fan Capacity (air flow m ³ /h max)	75,000
Fan Diameter (mm)	900
Fan Speed (r.p.m.)	1,450
Screen Perforation	1.5mm Inox Stainless Steel
Maximum Towing Speed	25Kmph Max Unbraked
Adjustable Support Legs	6
Weight (Kgs)	6,500
PTO Speed (r.p.m)	540

All performance figures are largely dependent on the ambient temperature, relative air humidity, maturity and cleanliness of crops to be dried. All models incorporate safety devices for auto cut-off of burner system due to overheating or mechanical failure.

APPROX.
SIZES MM



REMOTE
UNLOAD CHUTE



MASTERVAC
HOOVER KIT



MASTER
MOISTURE METER



GRAVITY
FAN CLEANER



DUST
EXTRACTION SYSTEM



AUTOMATIC
LUBRICATION SYSTEM



HYDRAULIC
OPERATION SYSTEMS



DISCHARGE
ALTERNATIVES



TELEPHONE
SMS SYSTEM

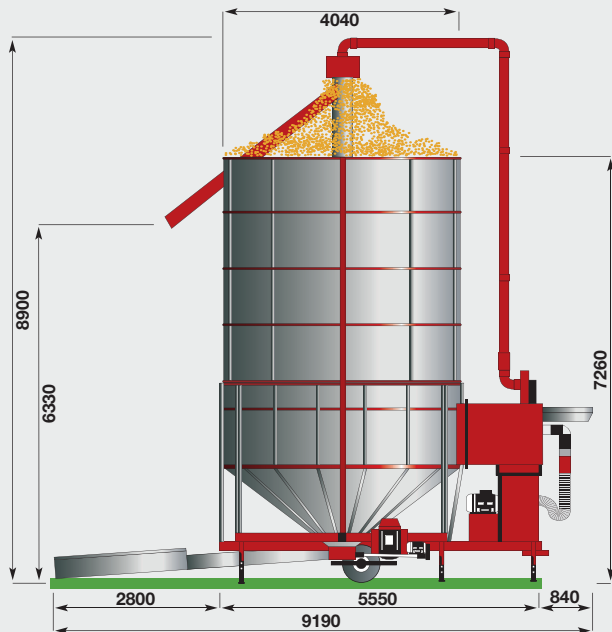


LARGE END OF LINE
CYCLONE

OPTIONAL
FEATURES

All inclusive **Master Care Package** with all new Master Driers
(Full and comprehensive manufacturers warranty for 3 YEARS after purchase)

APPROX.
SIZES MM



35-56 TON XL RANGE

XL 420 Type F/S

TECHNICAL DATA

Batch Capacity (tons wet wheat)	42 (56m ³)
Loading Time (minutes)	27
Unloading Time (minutes)	22
Power Required:	
Model PTO Drive - Tractor min. size of HP	120
Model Electric Drive - Mains supply line of AMPS	150
Available as PTO or full Electric Drive	Yes

Size Main Electric Motors	Kw	(HP)
Fan	37.5	(50)
Central Auger	37.5	(40)
Filling Auger	11	(15)
Dust Extractor	2.2	(3)
Burner	2.2	(3)

Centre Auger Drive	Belts/Gearbox
Centre Auger Speed (r.p.m.)	250
Centre Auger Diameter (mm)	450
Filling Auger Diameter (mm)	250
Centre Auger Ø 450mm (capacity tons/h)	120
Filling Auger Ø 250mm (capacity tons/h)	90

Batch Circulation (per hour)	3
Fuel Consumption (litres per hour)	75
5 litres per ton extracting 5% approx.	
Grain Wall Thickness (mm)	510

Burner Type (gas as option)	Diesel, Automatic Triple Stage
Fuel Tank Capacity (litres)	700
Burner Capacity (caloric power Kcal/h max)	1,300,000

Fan Design	Centrifugal
Fan Capacity (air flow m ³ /h max)	75,000
Fan Diameter (mm)	900
Fan Speed (r.p.m.)	1,450
Screen Perforation	1.5mm Inox Stainless Steel

Adjustable Support Legs	6
Weight (Kgs)	6,800
PTO Speed (r.p.m.)	540

All performance figures are largely dependent on the ambient temperature, relative air humidity, maturity and cleanliness of crops to be dried. All models incorporate safety devices for auto cut-off of burner system due to overheating or mechanical failure.

OPTIONAL FEATURES



REMOTE
UNLOAD CHUTE



MASTERVAC
HOOVER KIT



MASTER
MOISTURE METER



GRAVITY
FAN CLEANER



DUST
EXTRACTION SYSTEM



AUTOMATIC
LUBRICATION SYSTEM



LARGE END OF LINE
CYCLONE



HYDRAULIC
OPERATION SYSTEMS



DISCHARGE
ALTERNATIVES



TELEPHONE
SMS SYSTEM

Call us today for more information: **01787 228450**

www.masterfarm.co.uk



35-56 TON XL RANGE

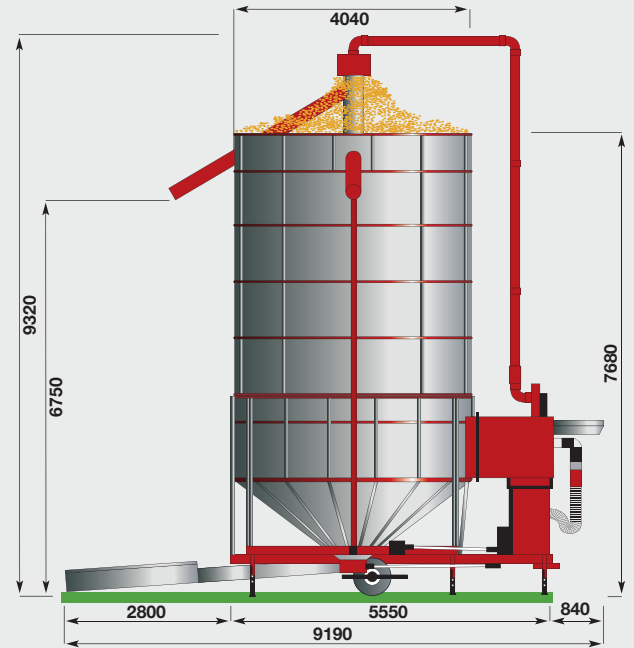
XL 450 Type F/S

TECHNICAL DATA

Batch Capacity (tons wet wheat)	45 (60m ³)
Loading Time (minutes)	30
Unloading Time (minutes)	25
Power Required:	
Model PTO Drive - Tractor min. size of HP	150
Model Electric Drive - Mains supply line of AMPS	150
Available as PTO or full Electric Drive	Yes
Size Main Electric Motors	Kw (HP)
Fan	37.5 (50)
Central Auger Ø 350mm / Ø 450mm	37.5 (40 / 50)
Filling Auger	11.5 (15)
Dust Extractor	2.2 (3)
Burner	2.2 (3)
Centre Auger Drive	Belts/Gearbox
Centre Auger Speed (r.p.m.)	250
Centre Auger Diameter (mm)	450
Filling Auger Diameter (mm)	250
Centre Auger Ø 450mm (capacity tons/h)	120
Filling Auger Ø 250mm (capacity tons/h)	90
Batch Circulation (per hour)	3
Fuel Consumption (litres per hour)	75
5 litres per ton extracting 5% approx.	
Grain Wall Thickness (mm)	500
Burner Type (gas as option)	Diesel, Automatic Triple Stage
Fuel Tank Capacity (litres)	700
Burner Capacity (caloric power Kcal/h max)	1.300,000
Fan Design	Centrifugal
Fan Capacity (air flow m ³ /h max)	75,000
Fan Diameter (mm)	900
Fan Speed (r.p.m.)	1,450
Screen Perforation	1.5mm Inox Stainless Steel
Adjustable Support Legs	6
Weight (Kgs)	7,900
PTO Speed (r.p.m.)	540

All performance figures are largely dependent on the ambient temperature, relative air humidity, maturity and cleanliness of crops to be dried. All models incorporate safety devices for auto cut-off of burner system due to overheating or mechanical failure.

APPROX.
SIZES MM



OPTIONAL
FEATURES



REMOTE
UNLOAD CHUTE



MASTERVAC
HOOVER KIT



MASTER
MOISTURE METER



GRAVITY
FAN CLEANER



DUST
EXTRACTION SYSTEM



AUTOMATIC
LUBRICATION SYSTEM



HYDRAULIC
OPERATION SYSTEMS



DISCHARGE
ALTERNATIVES



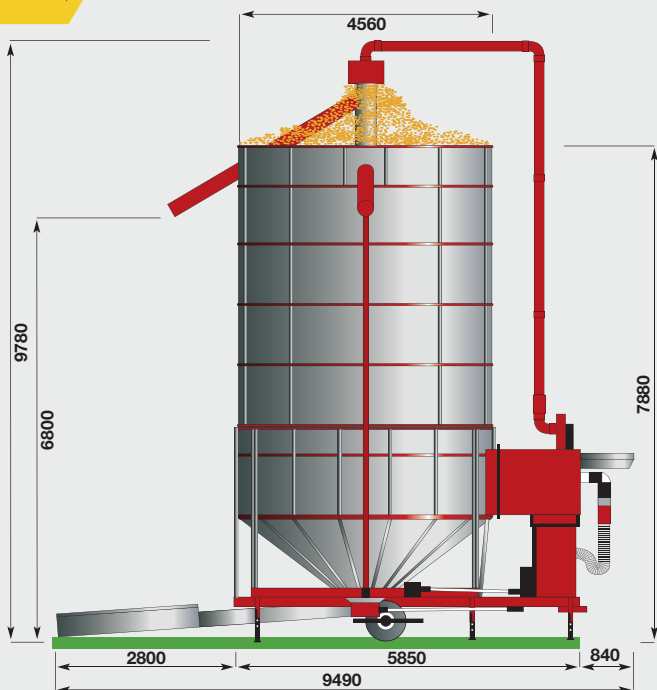
TELEPHONE
SMS SYSTEM



LARGE END OF LINE
CYCLONE

All inclusive **Master Care Package** with all new Master Driers
(Full and comprehensive manufacturers warranty for **3 YEARS** after purchase)

APPROX.
SIZES MM



35-56 TON XL RANGE

XL 560 Type F/S

TECHNICAL DATA

Batch Capacity (tons wet wheat)	56 (75m ³)
Loading Time (minutes)	37
Unloading Time (minutes)	32
Power Required:	
Model PTO Drive - Tractor min. size of HP	200
Model Electric Drive - Mains supply line of AMPS	220
Available as PTO or full Electric Drive	Yes

Size Main Electric Motors	Kw	(HP)
Fan	45	(60)
Central Auger	37.5	(50)
Filling Auger	11.5	(15)
Dust Extractor	3	(4)
Burner	3	(4)

Centre Auger Drive	Belts/Gearbox
Centre Auger Speed (r.p.m.)	250
Centre Auger Diameter (mm)	450
Filling Auger Diameter (mm)	250
Centre Auger Ø 450mm (capacity tons/h)	120
Filling Auger Ø 250mm (capacity tons/h)	90

Batch Circulation (per hour)	3
Fuel Consumption (litre per hour)	85
5 litre per ton extracting 5% approx.	
Grain Wall Thickness (mm)	500

Burner Type (gas as option)	Diesel, Automatic Triple Stage
Fuel Tank Capacity (litres)	700
Burner Capacity (caloric power Kcal/h max)	2,000,000

Fan Design	Centrifugal
Fan Capacity (air flow m ³ /h max)	150,000
Fan Diameter (mm)	900
Fan Speed (r.p.m.)	1,450
Screen Perforation	1.5mm Inox Stainless Steel

Adjustable Support Legs	6
Weight (Kgs)	9,000
PTO Speed (r.p.m)	540

All performance figures are largely dependent on the ambient temperature, relative air humidity, maturity and cleanliness of crops to be dried. All models incorporate safety devices for auto cut-off of burner system due to overheating or mechanical failure.

OPTIONAL
FEATURES



REMOTE
UNLOAD CHUTE



MASTERVAC
HOOVER KIT



MASTER
MOISTURE METER



GRAVITY
FAN CLEANER



DUST
EXTRACTION SYSTEM



AUTOMATIC
LUBRICATION SYSTEM



LARGE END OF LINE
CYCLONE



HYDRAULIC
OPERATION SYSTEMS



DISCHARGE
ALTERNATIVES



TELEPHONE
SMS SYSTEM

Call us today for more information: **01787 228450**
www.masterfarm.co.uk



SPECIALIST: TWIN SKIN RANGE

With the **Twin Skin Master Drier**, grain drying in a **dust free environment** is no longer a dream!... The Master Drier model TS is a unique totally enclosed system with a filtered exhaust incorporating the Master Dust Extraction System, which **ensures the best possible crop drying** in a dust free environment.

It is available on Driers with capacities from 12-45 ton and, together with the Mastermatic Control System, can be programmed for a **fully automatic operation**.



All inclusive **Master Care Package** with all new Master Driers
(Full and comprehensive manufacturers warranty for **3 YEARS** after purchase)

GET THE MOST FROM YOUR MASTER DRIER

The next step... As with all things in life, **planning is essential**, especially when it comes to your new Master Grain Drier. Throughout the whole process we fully discuss with you **all the options** available, making sure we take all your requirements into account and come up with the best drier that **suits your needs**.

POSITIONING IS CRITICAL

The positioning of the drier is critical so as to keep to a minimum any double handling which, in turn, will drive up productivity and keep labour costs to a minimum. Existing buildings and equipment are taken into consideration, again enabling costs to be kept to a minimum.



Whether you are looking at renewing or upgrading your existing grain drier or venturing into the world of mobile drying for the first time, we have the knowledge and experience to provide you with a seamless system that works for you. As well as our standard model range we have the capability to customise the size and layout of the machine to meet our customer's individual requirements.

WORKING HARD TO MEET YOUR NEEDS

Working closely with the Pedrotti factory, there are many features of the drier we can adapt to meet your site requirements, such as a specific working height, side loading auger, unloading auger position and type, or extended loading auger. We are always willing to work hard to meet your needs.

Master Farm Services have a wealth of practical experience with grain driers, handling equipment and storage facilities and we would welcome the opportunity to come out to your farm and share that knowledge with you.

When looking at a drier, whether it is a tractor driven machine or a fully automatic version, it is always worth giving some thought as to how you are going to fill and unload the machine. A little planning can save a lot of time and money throughout the life of the machine.

Here at Masters we can provide for all your requirements. Whether it's a 2 ton bucket fill hopper to go over the intake, or a complete system with trench intakes and store filling conveyors, we have it covered.

Whether you are looking at a new-build store or exploring options for incorporating a batch drier in a more user friendly way, we are here to help you. Here at Masters we are happy to be involved throughout the whole process whether it be a simple trench intake to fill your drier, or a complete store system with elevators and conveyors.



WE ARE HERE TO HELP YOU

We always try to work with one guiding principal on all projects 'Keep It Simple'. Using this principle we have managed and installed many successful projects and, as farms continue to change, it is something we are being asked more and more to do. In summary we work with our customer's long-term objectives at heart.

Another area of our business which has grown in recent years is the supply and back-up of both new and used generators. By supplying and supporting our generator sets to customers, it gives peace of mind knowing you are dealing with one supplier for all your drying needs. We can supply sets with the correct plugs and breakers as well as wiring them into the drier/plant to shut down when the machine's working day is over (possibly long after you've gone to bed!).

Whatever your requirements, call us today to see how we can help: **01787 228450**

Call us today for more information: **01787 228450**

www.masterfarm.co.uk



WET GRAIN BINS

One of the most popular and **cost-effective** ways available for making full use of your automated Master Drier is to utilise a **galvanised Wet Grain Bin**, with capacities ranging from 3-42 ton available in **either 3x3m or 4x4m**. Working with the drier, the wet bin enables the user to have total **control over drying as a continuous batch**, in turn dramatically increasing output and minimising labour.

Wet grain bins for batch drying offer several benefits. The main benefit is that, with our automated machines, it allows you to be able to release the **full potential** of the drier in a **simple, cost-effective manner**. Another benefit is that, when filling with a telehandler or loader, it's far easier to keep the area around the drier **clean and tidy**.

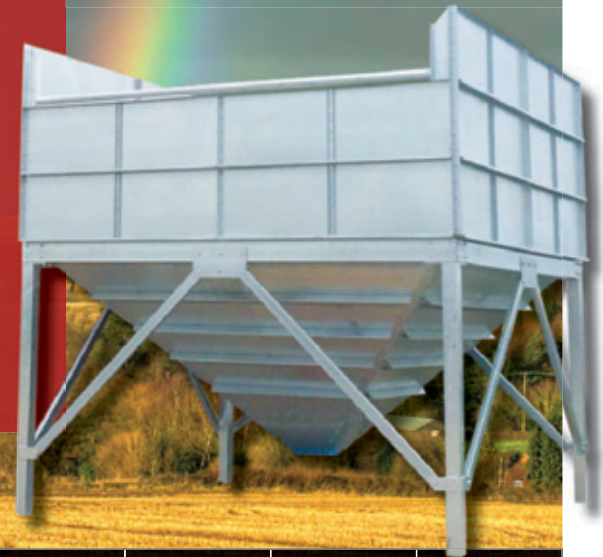
Our range of wet grain bins include **hopper bottom, flat bottom and smooth wall**. Grain bins can be used as temporary wet storage before a grain drier, or as long term storage for grain and other bulk solids. **Galvanised steel** bins can offer cost effective grain storage while providing **optimum storage conditions**.



**FLEXIBILITY
OF USE**



**HIGH QUALITY
MANUFACTURING**



3x3m Bin Data/Model	3000-0	3000-1	3000-2	3000-3	3000-4	3000-5	3000-6	3000-7
Wet Grain Capacity (est. tons)	3	7	11	15	19	23	27	31
Volume (m ³)	4	9.3	14.6	19.9	25.2	30.5	35.8	41
Height (m)	2.06	2.69	3.32	3.95	4.58	5.21	5.84	6.47
4x4m Bin Data/Model	4000-0	4000-1	4000-2	4000-3	4000-4	4000-5		
Wet Grain Capacity (est. tons)	8	15	22	29	36	42		
Volume (m ³)	10.6	20.2	29.8	39.4	49	58.6		
Height (m)	2.74	3.34	3.94	4.54	5.14	5.74		



Manual Outlet Slide and Top Loader Bump Bar options available for 4x4m bins

All capacities based on wet wheat at 1.3m³ per ton. Supplied as flat pack in a wooden crate.



All inclusive **Master Care Package** with all new Master Driers
(Full and comprehensive manufacturers warranty for **3 YEARS** after purchase)

PARTS & SUPPORT



SPARE PARTS
STOCKED FOR EACH MODEL

Master Farm Services carry in stock, a comprehensive range of parts for all their products. Whenever possible, parts ordered by 3.00pm will be despatched by 1st class post or next day courier service (to a maximum of 25kgs).

1 MASTER FARM SERVICES (GB) LIMITED
Head Office: 01787 228450

- 2** Devon
- 3** Cornwall
- 4** Shropshire
- 5** Nottinghamshire
- 6** South Yorkshire
- 7** Lancashire
- 8** North Yorkshire
- 9** Lothian, Scotland
- 10** Angus, Scotland
- 11** Aberdeenshire, Scotland
- 12** Moray, Scotland
- 13** N. Ireland
- 14** Wales

NORTH ATLANTIC OCEAN

Irish Sea

St. George's Channel

Bristol Channel

English Channel

North Sea

1 MASTER DRIERS

London



Call us today for more information: **01787 228450**
www.masterfarm.co.uk




MASTER DRIERS

CONTACT US

MASTER FARM SERVICES (GB) LTD
HEAD OFFICE

 Bures Park, Colne Road, Bures, Suffolk CO8 5DJ

 01787 228450 / 01787 229083

 01787 229146

 enquiries@masterfarm.co.uk

www.masterfarm.co.uk